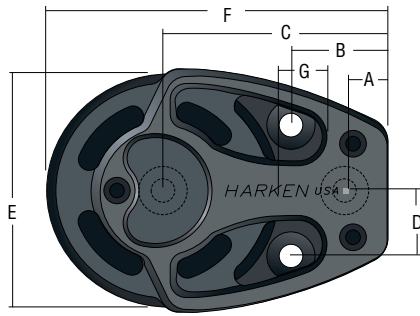
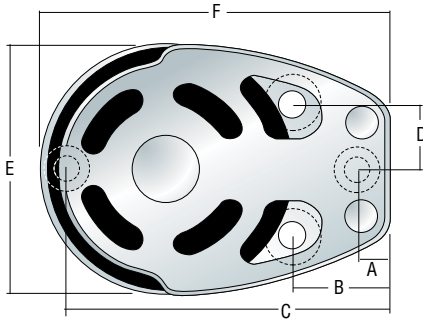


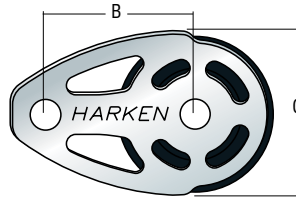
# Specifications



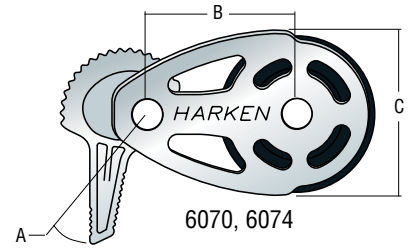
1963, 1964, 1967, 1968,  
1972, 1973, 3005, 3006, 3010,  
3011, 3017, 3023, 3033



3131, 3134, 3137, 3183



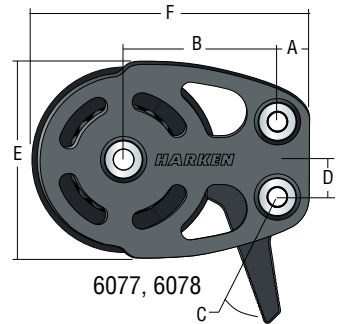
6076, 6079



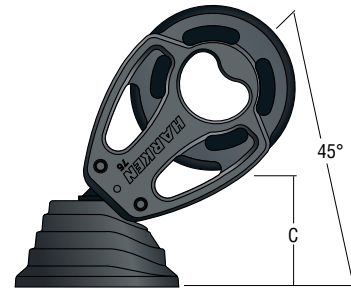
6070, 6074



6091, 6092, 6093



6077, 6078

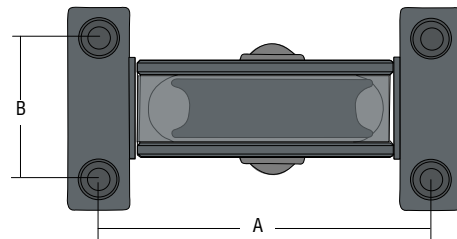


1965, 1974  
3012, 3018  
3022, 3138  
3152, 3182

## Stand-Up Blocks

Part No.	A		B		C	
	in	mm	in	mm	in	mm
1965	2 <sup>7</sup> / <sub>32</sub>	57	2 <sup>9</sup> / <sub>16</sub>	56	1 <sup>1</sup> / <sub>4</sub>	32
1974	3	76	3	76	1 <sup>11</sup> / <sub>16</sub>	43
1987/1989*	4 <sup>15</sup> / <sub>16</sub>	125	1 <sup>15</sup> / <sub>16</sub>	50	—	—
3122/3194**	3 <sup>11</sup> / <sub>16</sub>	93.6	1 <sup>9</sup> / <sub>16</sub>	39.7	—	—
3012	3 <sup>21</sup> / <sub>32</sub>	93	3 <sup>27</sup> / <sub>32</sub>	97	2 <sup>5</sup> / <sub>16</sub>	59
3018	3 <sup>21</sup> / <sub>32</sub>	93	4 <sup>1</sup> / <sub>32</sub>	103	2 <sup>1</sup> / <sub>4</sub>	57
3022	3 <sup>3</sup> / <sub>4</sub>	95	5 <sup>5</sup> / <sub>32</sub>	131	3 <sup>3</sup> / <sub>8</sub>	92
3138	3	76	3 <sup>1</sup> / <sub>16</sub>	78	1 <sup>25</sup> / <sub>32</sub>	45
3152	3 <sup>21</sup> / <sub>32</sub>	93	3 <sup>27</sup> / <sub>32</sub>	97	2 <sup>1</sup> / <sub>4</sub>	57
3182	3 <sup>21</sup> / <sub>32</sub>	93	4 <sup>1</sup> / <sub>4</sub>	108	2 <sup>1</sup> / <sub>16</sub>	62

\*5/16" (8 mm) SH cap screw fasteners \*\*1/4" (6 mm) SH cap screw fasteners



1987, 1989  
3122, 3194

## Footblocks

Part No.	Fasteners (FH)		A		B		C		D		E		F		G	
	in	mm	in	mm	in	mm	in	mm	in	mm	in	mm	in	mm	in	mm
1963/1964/1967/1968	1/4	6	9/32	7	7/8	23	2 <sup>1</sup> / <sub>32</sub>	52	5/8	16	2 <sup>9</sup> / <sub>32</sub>	58	3 <sup>5</sup> / <sub>16</sub>	84	1 <sup>5</sup> / <sub>32</sub>	12
1972/1973/3005/3006	5/16	8	3/8	10	1 1/8	29	2 <sup>13</sup> / <sub>16</sub>	71	1 <sup>3</sup> / <sub>16</sub>	21	3	76	4 <sup>5</sup> / <sub>16</sub>	110	5/8	34
3010/3011	3/8	10	7/16	11	1 1/2	38	3 <sup>5</sup> / <sub>8</sub>	93	1 1/8	28	3 <sup>15</sup> / <sub>16</sub>	100	5 <sup>5</sup> / <sub>8</sub>	143	1 <sup>3</sup> / <sub>16</sub>	21
3017/3033	1/2	12	1 <sup>7</sup> / <sub>32</sub>	14	1 <sup>25</sup> / <sub>32</sub>	50	4 <sup>7</sup> / <sub>16</sub>	113	1 <sup>11</sup> / <sub>32</sub>	35	4 <sup>29</sup> / <sub>32</sub>	125	6 <sup>29</sup> / <sub>32</sub>	176	2 <sup>9</sup> / <sub>32</sub>	23
3023	5/8	16	1 <sup>9</sup> / <sub>32</sub>	15	2 <sup>3</sup> / <sub>32</sub>	53	5 <sup>3</sup> / <sub>32</sub>	129	1 <sup>5</sup> / <sub>8</sub>	41	5 <sup>29</sup> / <sub>32</sub>	150	8 <sup>1</sup> / <sub>16</sub>	204	1 <sup>5</sup> / <sub>16</sub>	24
3131	5/16	8	3/8	10	1 1/4	32	4	102	1 <sup>3</sup> / <sub>16</sub>	22	1 <sup>5</sup> / <sub>32</sub>	80	4 <sup>13</sup> / <sub>32</sub>	112	—	—
3134	3/8	10	1 <sup>5</sup> / <sub>32</sub>	12	1 1/2	40	5 <sup>5</sup> / <sub>32</sub>	131	1 <sup>3</sup> / <sub>32</sub>	28	4 <sup>1</sup> / <sub>8</sub>	105	5 <sup>3</sup> / <sub>4</sub>	146	—	—
3137	5/8	16	1 <sup>11</sup> / <sub>16</sub>	18	2 <sup>5</sup> / <sub>16</sub>	60	7 <sup>25</sup> / <sub>32</sub>	198	1 <sup>23</sup> / <sub>32</sub>	44	6 <sup>3</sup> / <sub>16</sub>	157	8 <sup>5</sup> / <sub>8</sub>	219	—	—
6070	3/8	10	1 <sup>31</sup> / <sub>32</sub>	50	2 <sup>5</sup> / <sub>32</sub>	55	2 <sup>1</sup> / <sub>4</sub>	57	—	—	—	—	—	—	—	—
6074	3/8	10	2	51	2 <sup>1</sup> / <sub>2</sub>	63	2 <sup>29</sup> / <sub>32</sub>	74	—	—	—	—	—	—	—	—
6076	3/8	10	—	—	2 <sup>5</sup> / <sub>32</sub>	55	2 <sup>1</sup> / <sub>4</sub>	57	—	—	—	—	—	—	—	—
6077	5/16	8	1/2	13	2 <sup>5</sup> / <sub>32</sub>	55	2	51	9/16	14	2 <sup>1</sup> / <sub>4</sub>	57	3 <sup>25</sup> / <sub>32</sub>	96	—	—
6078	5/16	8	1/2	13	2 <sup>13</sup> / <sub>32</sub>	61	2	51	9/16	14	2 <sup>1</sup> / <sub>8</sub>	74	4 <sup>5</sup> / <sub>16</sub>	110	—	—
6079	3/8	10	—	—	2 <sup>1</sup> / <sub>2</sub>	63	2 <sup>31</sup> / <sub>32</sub>	75	—	—	—	—	—	—	—	—
6091	5/16	8	1/2	13	2 <sup>5</sup> / <sub>32</sub>	55	—	—	9/16	14	2 <sup>1</sup> / <sub>4</sub>	57	2 <sup>21</sup> / <sub>32</sub>	67	—	—
6092	5/16	8	1/2	13	2 <sup>13</sup> / <sub>32</sub>	61	9/16	14	1 <sup>9</sup> / <sub>32</sub>	15	2 <sup>31</sup> / <sub>32</sub>	75	4 <sup>3</sup> / <sub>8</sub>	111	—	—
6093	1/2	12	1 <sup>11</sup> / <sub>16</sub>	17	3 <sup>1</sup> / <sub>32</sub>	77	—	—	1 <sup>11</sup> / <sub>16</sub>	18	4 <sup>1</sup> / <sub>8</sub>	105	3 <sup>15</sup> / <sub>16</sub>	100	—	—
3183	1/2	12	1 <sup>9</sup> / <sub>32</sub>	15	1 <sup>25</sup> / <sub>32</sub>	45	6 <sup>17</sup> / <sub>32</sub>	166	1 <sup>3</sup> / <sub>16</sub>	21	5 <sup>5</sup> / <sub>16</sub>	131	7 <sup>1</sup> / <sub>8</sub>	181	—	—