

# Trigger Cleat

The Nash Trigger cleat has a unique mechanism that allows you to release highly loaded lines with complete control. Pulling the sheet down on the trigger trips the pawls and frees the sheet. The trigger serves as a snubbing surface to control release.

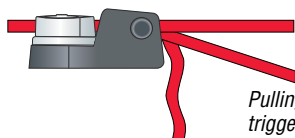
In light air, or once the trigger releases the load, the cleat operates like a normal cam cleat. The Trigger cleat is constructed of rugged stainless steel. It is very reliable in heavy air.

Trigger cleats are ideal on highly loaded systems like mainsheets, vang, and even for some halyards. They have developed a cult-like following in some classes where the crew loves the ability to spill the mainsail reliably during close-quarters maneuvering.

The 355 cam mounting bracket attaches the Trigger cleat to 3.00 in (75 mm) low-profile triples.

## Use for:

Mainsheets  
Halyards  
Vangs  
Control lines



Spring-loaded cams close to cleat line

Pulling line down against trigger opens cams so line may be eased

Fasteners included

Stainless steel pawls

Base reinforced with long glass

Stainless trigger lever



419\*



418



355

Part No.	Description	Length		Width		Height		Weight		Line Ø				Maximum working load		Fasteners
		in	mm	in	mm	in	mm	oz	g	Min in	Min mm	Max in	Max mm	lb	kg	
418	Trigger cleat	2 1/2	64	3	76	1 3/8	35	5.6	159	3/16	5	1/2	12	500	227	#10 TH 5 mm TH
355	Trigger cleat adaptor plate	3 3/4	79	1 1/2	31	1/4	6	1.3	36	—	—	—	—	—	—	—

\*See page 97 for specifications

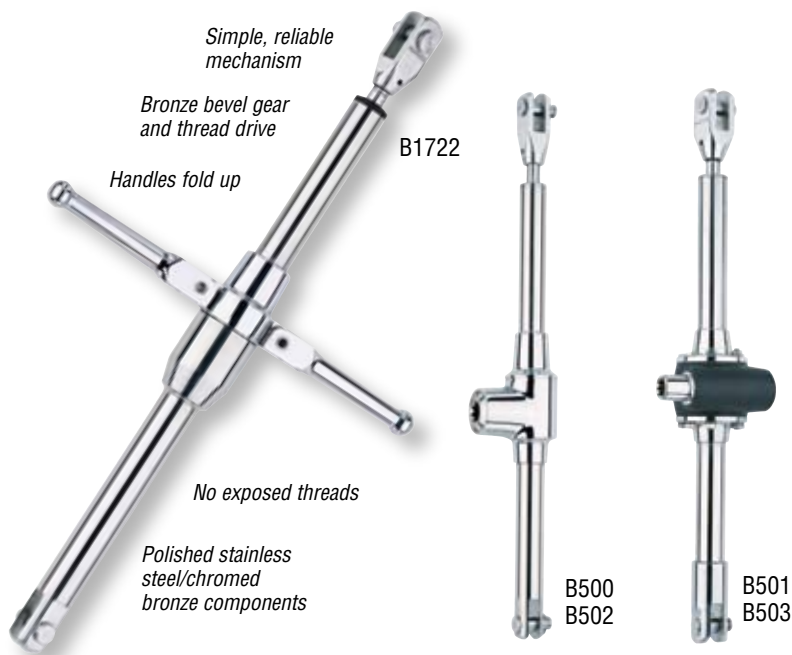
# Stay Tensioners

Harken® stay tensioners are reliable mechanical adjusters that are easy to install and simple to use. Tensioners are made of polished stainless steel and chromed bronze, and feature bronze worm gears and thread drives to prevent galling under load. Moving components are mounted on greased roller bearings for easy adjustment.

Tensioners come in four sizes for boats from 27 ft to 50 ft (8 m to 15 m) with backstays from 9/32 in to 1/2 in (7 mm to 12 mm). B1722 tensioners have fold-down adjustment handles. The other tensioners accept a standard winch handle and are available in custom lengths.

## Use for:

Backstays  
Inner forestays  
Babystays



Simple, reliable mechanism

Bronze bevel gear and thread drive

Handles fold up

B1722

No exposed threads

Polished stainless steel/chromed bronze components

B500  
B502

B501  
B503

Part No.	Description	Pin Ø		Pin-to-pin closed		Stroke		Jaw width		Jaw depth		Weight		Max wire Ø		Maximum working load		Breaking load		Adjust with
		in	mm	in	mm	in	mm	in	mm	in	mm	lb	kg	in	mm	lb	kg	lb	kg	
B500	Small	9/16	14	23 1/8	587	7	180	9/16	15	1 1/16	30	9.9	4.5	3/8	10	8377	3800	16755	7600	Winch handle
B501	Large	5/8	16	26 1/4	667	8 1/16	220	11 1/16	17	1 3/8	35	18.1	8.24	1/2	12	14330	6500	28660	13000	Winch handle
B502	Small	5/8	16	23 1/8	587	7	180	5/8	16	1 3/16	30	9.9	4.5	3/8	10	8377	3800	16755	7600	Winch handle
B503	Large	3/4	19	26 1/4	667	8 1/16	220	3/4	19	1 3/8	35	21.0	9.53	1/2	12	14330	6500	28660	13000	Winch handle
B1722	Large	1/2	12	19	483	6 1/4	160	1/2	12	1	25	8.3	3.75	9/32	7	5732	2600	11464	5200	Handle