

Midrange CB Track & Accessories

Midrange track comes in low- or high-beam configurations. Use low-beam track when it's supported at each fastener hole. Use high-beam track when it must span a cockpit or other unsupported area. Choose between variable hole spacing and drilled track.



Pinstop Track

1617 track has $\frac{9}{16}$ in (10 mm) pinstop holes spaced on $1\frac{5}{16}$ in (34 mm) centers to accept Midrange adjustable pinstop cars.

Endstops/Trim Caps

When end controls are not used, add 1522 or 1523 endstops to absorb shock loads. When end control assemblies are used, trim caps finish track ends. Sold in pairs. Fasteners not included.

Splice Links

Splice links join track and keep it aligned during installation.

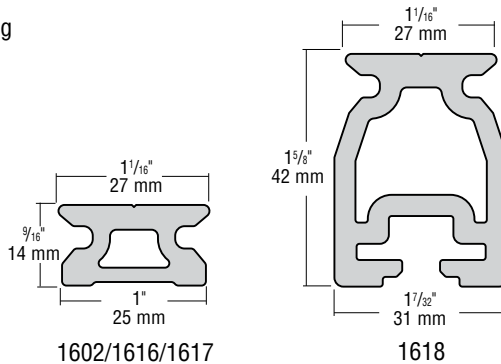
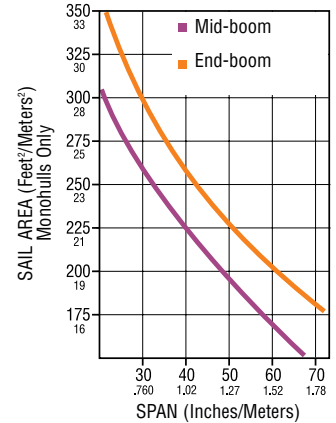
Curved Track

Harken® will bend track to your specifications. See page 102.



Use track risers to clear companionway hatches. See page 112

High-Beam Slide Bolt Track Spanning Chart



Track Bending		
Car	Minimum radius	
	ft	m
1624/1626/1628	8	2.44
1625/1627/1629	9	2.73

Part No.	Description	Length		Mounting hole spacing*		Weight oz	Weight g	Fasteners in	Fasteners mm	Endstop**/trim cap**	Splice link/track riser**
		ft/in	m	in	mm						
Metric Track											
1616.1.2m	Low-beam	3'11 1/4"	1.2	3 5/16	100	27	772	1/4FH	6FH	1522/1621	1619/—
1616.1.5m	Low-beam	4'11 1/16"	1.5	3 5/16	100	34	965	1/4FH	6FH	1522/1621	1619/—
1616.1.8m	Low-beam	5'10 9/16"	1.8	3 5/16	100	41	1158	1/4FH	6FH	1522/1621	1619/—
1616.2.1m	Low-beam	6'10 1/16"	2.1	3 5/16	100	48	1351	1/4FH	6FH	1522/1621	1619/—
1616.2.4m	Low-beam	7'10 1/2"	2.4	3 5/16	100	54	1544	1/4FH	6FH	1522/1621	1619/—
1616.3m	Low-beam	9'10 1/8"	3	3 5/16	100	68	1930	1/4FH	6FH	1522/1621	1619/—
1616.3.6m	Low-beam	11'9 3/4"	3.6	3 5/16	100	82	2317	1/4FH	6FH	1522/1621	1619/—
1616.6m	Low-beam	19'8 1/4"	6	3 5/16	100	136	3860	1/4FH	6FH	1522/1621	1619/—
1617.1.2m	Low-beam/pinstop holes	3'11 1/4"	1.2	3 5/16	100	26	740	1/4FH	6FH	1522/1621	1619/—
1617.1.5m	Low-beam/pinstop holes	4'11 1/16"	1.5	3 5/16	100	33	924	1/4FH	6FH	1522/1621	1619/—
1617.1.8m	Low-beam/pinstop holes	5'10 9/16"	1.8	3 5/16	100	39	1108	1/4FH	6FH	1522/1621	1619/—
1617.2.1m	Low-beam/pinstop holes	6'10 1/16"	2.1	3 5/16	100	46	1293	1/4FH	6FH	1522/1621	1619/—
1617.2.4m	Low-beam/pinstop holes	7'10 1/2"	2.4	3 5/16	100	52	1474	1/4FH	6FH	1522/1621	1619/—
1617.3m	Low-beam/pinstop holes	9'10 1/8"	3	3 5/16	100	65	1845	1/4FH	6FH	1522/1621	1619/—
1617.3.6m	Low-beam/pinstop holes	11'9 3/4"	3.6	3 5/16	100	78	2215	1/4FH	6FH	1522/1621	1619/—
1617.6m	Low-beam/pinstop holes	19'8 1/4"	6	3 5/16	100	130	3688	1/4FH	6FH	1522/1621	1619/—
Variable Hole Spacing Track											
1618.1.2m	High-beam	3'11 1/4"	1.2	Slide bolt	69	1956	1/4HH	6HH	1523/1622	—/1849‡	—/1849‡
1618.1.5m	High-beam	4'11 1/16"	1.5	Slide bolt	86	2445	1/4HH	6HH	1523/1622	—/1849‡	—/1849‡
1618.1.8m	High-beam	5'10 9/16"	1.8	Slide bolt	104	2934	1/4HH	6HH	1523/1622	—/1849‡	—/1849‡
1618.2.1m	High-beam	6'10 1/16"	2.1	Slide bolt	121	3424	1/4HH	6HH	1523/1622	—/1849‡	—/1849‡
1618.3.6m	High-beam	11'9 3/4"	3.6	Slide bolt	207	5869	1/4HH	6HH	1523/1622	—/1849‡	—/1849‡
Retrofit 4" Hole Spacing Track											
1602.6	Low-beam	6	1.83	4	102	42	1177	1/4FH	6FH	1522/1621	1619/—
1602.8	Low-beam	8	2.44	4	102	56	1588	1/4FH	6FH	1522/1621	1619/—
1602.12	Low-beam	12	3.66	4	102	83	2354	1/4FH	6FH	1522/1621	1619/—

Actual size track chart available at www.harken.com *1st hole 50 mm (2") **Sold in pairs ‡Track riser 1849 shown on page 112



Bolt slides included Fasteners not included