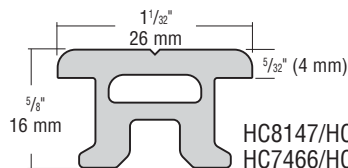
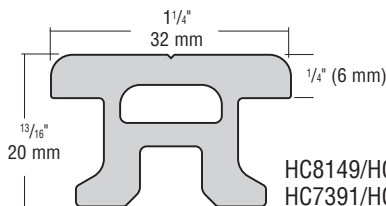


26 mm, 32 mm, 50 mm Switch T-Track Battcar Systems

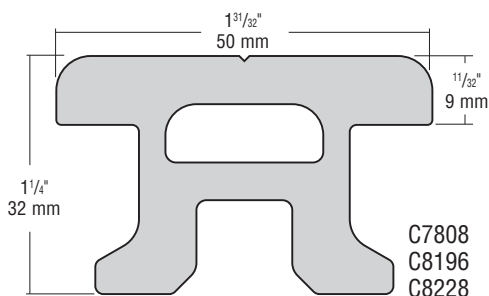
NEW: HC8879, HC8880



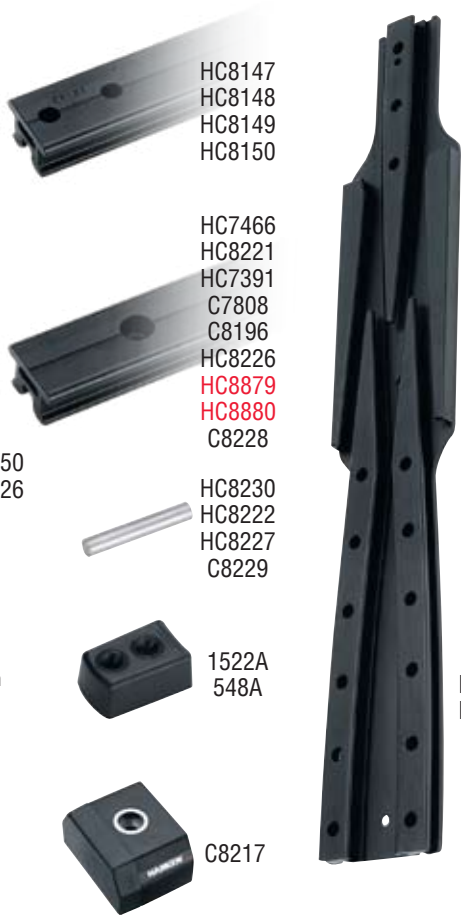
HC8147/HC8148
HC7466/HC8221



HC8149/HC8150
HC7391/HC8226



C7808
C8196
C8228



HC8147
HC8148
HC8149
HC8150

HC7466
HC8221
HC7391
C7808
C8196
HC8226
HC8879
HC8880
C8228

HC8230
HC8222
HC8227
C8229

1522A
548A

C8217

Cars alternate automatically

HC8220
HC7382
C7807

Track & Accessories

Part No.	Description	Length		Width		Weight		Fasteners	Fastener spacing
		in	mm	in	mm	oz	g		
26 mm									
HC8220	Switch	25 1/4	641	4	102	43.1	1225	6	—
HC8147	500 mm Storage track	19 11/16	500	1 1/32	26	10.2	291	6	50
HC8148	725 mm Storage track	28 17/32	725	1 1/32	26	14.8	419	6	50
HC7466	3 m T-Track	118 1/8	3000	1 1/32	26	61.1	1736	6	75
HC8879	2 m T-Track/high-load	78 3/4	2000	1 1/32	26	40.3	1141	6	50
HC8221	Gate track	11 13/16	300	1 1/32	26	6.1	174	6	75
HC8222	Splice link	—	—	1 1/32	26	0.1	3	—	—
1522A	Endstop	2 5/32	55	1 17/32	39	—	—	—	—
32 mm									
HC7382	Switch	28 1/2	724	5	127	72.8	2068	8	—
HC8149	800 mm Storage track	31 1/2	800	1 1/4	32	25.6	728	8	50
HC8150	1025 mm Storage track	40 11/32	1025	1 1/4	32	32.8	933	8	50
HC7391	3 m T-Track	118 1/8	3000	1 1/4	32	96.2	2734	8	75
HC8880	2 m T-Track/high-load	78 3/4	2000	1 1/4	32	63.1	1790	8	50
HC8226	Gate track	11 13/16	300	1 1/4	32	9.6	273	8	75
HC8227	Splice link	—	—	—	—	0.2	5	—	—
548A	Endstop	2 27/32	72	2 1/32	52	—	—	—	—
50 mm									
C7807	Switch*	44 1/2	1134	7 13/16	198.44	276	7838	12	—
C7808	3 m T-Track*	118 1/8	3000	1 31/32	50	232	6589	12	75
C8196	6 m T-Track*	236 1/4	6000	1 31/32	50	464	13173	12	75
C8228	Gate track*	11 13/16	300	1 31/32	50	23	659	12	75
C8229	Splice link*	—	—	—	—	0.46	13	—	—
C8217	Endstop*	2 27/32	72	2 1/32	52	19	537	12	—

*Allow 8 - 10 weeks lead time

Gate Track

Switch



Storage Tracks