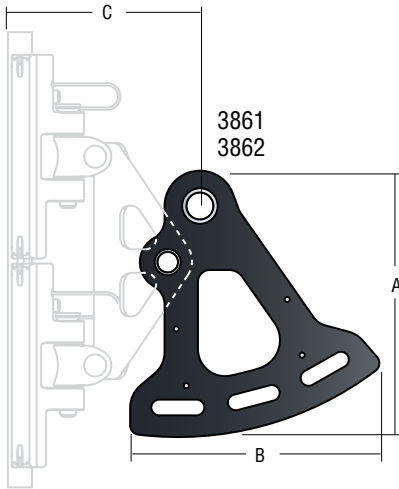
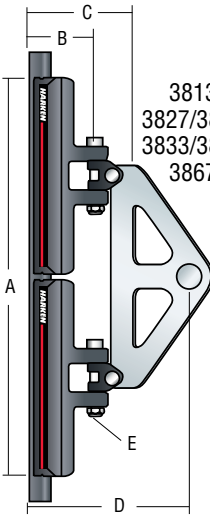


# Battcar Dimensions

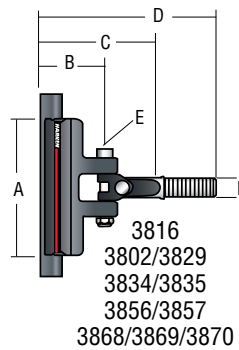
## Headboard Plate



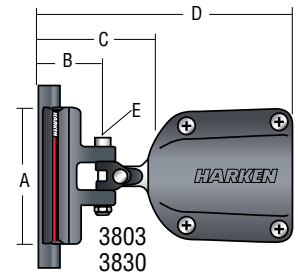
## Headboard Car Assembly



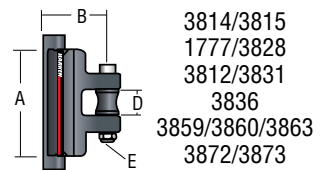
## Battcar/Stud



## Battcar/Receptacle



## Intermediate Car Reef Car Universal Battcar



## Dimensions (measured from aft face of mast)

Part No.	Description	A		B		C		D		E		F
		in	mm	in	mm	in	mm	in	mm	in	mm	Stud Ø
<b>System AA CB</b>												
3813	Headboard car assembly	5 <sup>7</sup> / <sub>16</sub>	132	1	25	1 <sup>13</sup> / <sub>16</sub>	46	—	—	—	5	—
3814	Intermediate car	1 <sup>3</sup> / <sub>4</sub>	44	1 <sup>9</sup> / <sub>16</sub>	24	—	—	3 <sup>1</sup> / <sub>4</sub>	19	—	5	—
3815	Intermediate car	2 <sup>7</sup> / <sub>16</sub>	56	1	25	—	—	3 <sup>1</sup> / <sub>4</sub>	19	—	5	—
3816	Battcar/10 mm stud	2 <sup>7</sup> / <sub>16</sub>	56	1	25	1 <sup>13</sup> / <sub>16</sub>	46	3 <sup>5</sup> / <sub>16</sub>	84	—	5	10
<b>System A Slider</b>												
3827	Headboard car assembly	6	153	1 <sup>1</sup> / <sub>16</sub>	27	2 <sup>1</sup> / <sub>8</sub>	54	3 <sup>11</sup> / <sub>16</sub>	94	3 <sup>7</sup> / <sub>16</sub>	5	—
1777	Intermediate car/low-load	2	51	1 <sup>1</sup> / <sub>8</sub>	28	—	—	3 <sup>1</sup> / <sub>4</sub>	19	3 <sup>7</sup> / <sub>16</sub>	5	—
3828	Intermediate car	1 <sup>3</sup> / <sub>4</sub>	44	1 <sup>1</sup> / <sub>16</sub>	27	—	—	2 <sup>1</sup> / <sub>32</sub>	17	3 <sup>7</sup> / <sub>16</sub>	5	—
3802	Battcar/10 mm stud	1 <sup>3</sup> / <sub>4</sub>	44	1 <sup>1</sup> / <sub>16</sub>	27	2 <sup>1</sup> / <sub>8</sub>	54	—	—	3 <sup>7</sup> / <sub>16</sub>	5	10
3803	Battcar/receptacle	1 <sup>3</sup> / <sub>4</sub>	44	1 <sup>1</sup> / <sub>16</sub>	27	2 <sup>1</sup> / <sub>8</sub>	54	5 <sup>1</sup> / <sub>8</sub>	130	3 <sup>7</sup> / <sub>16</sub>	5	—
<b>System A CB</b>												
3811	Headboard car assembly	8 <sup>3</sup> / <sub>8</sub>	213	1 <sup>3</sup> / <sub>8</sub>	35	2 <sup>1</sup> / <sub>4</sub> /2 <sup>1</sup> / <sub>8</sub> * <sup>†</sup>	57/73* <sup>†</sup>	4	102	3 <sup>7</sup> / <sub>16</sub>	5	—
3812	Intermediate car	2 <sup>1</sup> / <sub>4</sub>	57	1 <sup>3</sup> / <sub>8</sub>	35	—	—	3 <sup>1</sup> / <sub>4</sub>	19	3 <sup>7</sup> / <sub>16</sub>	5	—
3829	Battcar/10 mm stud	2 <sup>1</sup> / <sub>8</sub>	73	1 <sup>3</sup> / <sub>8</sub>	35	2 <sup>1</sup> / <sub>4</sub>	57	3 <sup>11</sup> / <sub>16</sub>	94	3 <sup>7</sup> / <sub>16</sub>	5	10
3830	Battcar/receptacle	2 <sup>1</sup> / <sub>8</sub>	73	1 <sup>3</sup> / <sub>8</sub>	35	2 <sup>1</sup> / <sub>8</sub>	73	5 <sup>1</sup> / <sub>4</sub>	146	3 <sup>7</sup> / <sub>16</sub>	5	—
3831	Universal Battcar	2 <sup>1</sup> / <sub>8</sub>	73	1 <sup>3</sup> / <sub>8</sub>	35	—	—	3 <sup>1</sup> / <sub>4</sub>	19	3 <sup>7</sup> / <sub>16</sub>	5	—
<b>System B Slider</b>												
3833	Headboard car assembly	7 <sup>1</sup> / <sub>2</sub>	190	1 <sup>1</sup> / <sub>4</sub>	32	2 <sup>5</sup> / <sub>16</sub>	59	4 <sup>5</sup> / <sub>8</sub>	119	1 <sup>1</sup> / <sub>4</sub>	6	—
3836	Intermediate car	2 <sup>7</sup> / <sub>16</sub>	56	1 <sup>1</sup> / <sub>4</sub>	32	—	—	—	—	1 <sup>1</sup> / <sub>4</sub>	6	—
3834	Battcar/10 mm stud	2 <sup>7</sup> / <sub>16</sub>	56	1 <sup>1</sup> / <sub>4</sub>	32	2 <sup>5</sup> / <sub>16</sub>	59	3 <sup>9</sup> / <sub>16</sub>	91	1 <sup>1</sup> / <sub>4</sub>	6	10
3835	Battcar/12 mm stud	2 <sup>7</sup> / <sub>16</sub>	56	1 <sup>1</sup> / <sub>4</sub>	32	2 <sup>5</sup> / <sub>16</sub>	59	3 <sup>3</sup> / <sub>4</sub>	96	1 <sup>1</sup> / <sub>4</sub>	6	12
<b>System B CB</b>												
3852	Headboard car assembly	10 <sup>1</sup> / <sub>2</sub>	267	1 <sup>3</sup> / <sub>16</sub>	39	3 <sup>1</sup> / <sub>16</sub>	78	4 <sup>1</sup> / <sub>16</sub>	102	3 <sup>7</sup> / <sub>8</sub>	10	—
3863	Intermediate car	2 <sup>7</sup> / <sub>16</sub>	68	1 <sup>3</sup> / <sub>16</sub>	39	—	—	3 <sup>1</sup> / <sub>4</sub>	19	1 <sup>1</sup> / <sub>4</sub>	6	—
3856	Battcar/10 mm stud	4 <sup>3</sup> / <sub>16</sub>	109	1 <sup>3</sup> / <sub>16</sub>	39	3 <sup>1</sup> / <sub>16</sub>	78	4 <sup>3</sup> / <sub>8</sub>	111	3 <sup>7</sup> / <sub>8</sub>	10	10
3857	Battcar/12 mm stud	4 <sup>3</sup> / <sub>16</sub>	109	1 <sup>3</sup> / <sub>16</sub>	39	3 <sup>1</sup> / <sub>16</sub>	78	4 <sup>3</sup> / <sub>8</sub>	111	3 <sup>7</sup> / <sub>8</sub>	10	12
3859	Universal Battcar	4 <sup>1</sup> / <sub>4</sub>	108	1 <sup>3</sup> / <sub>16</sub>	39	—	—	1	26	3 <sup>7</sup> / <sub>8</sub>	10	—
3860	Reef car	5 <sup>3</sup> / <sub>16</sub>	132	1 <sup>3</sup> / <sub>16</sub>	39	—	—	1	26	3 <sup>7</sup> / <sub>8</sub>	10	—
3861	Headboard plate	6 <sup>13</sup> / <sub>16</sub>	172	6 <sup>3</sup> / <sub>8</sub>	161	4 <sup>7</sup> / <sub>8</sub>	124	—	—	—	—	—
3862	Headboardplate/flat-top	5 <sup>3</sup> / <sub>16</sub>	147	6 <sup>3</sup> / <sub>16</sub>	157	5 <sup>23</sup> / <sub>32</sub>	145	—	—	—	—	—
<b>System C CB</b>												
3867	Headboard car assembly	18 <sup>3</sup> / <sub>8</sub>	473	2	51	3 <sup>3</sup> / <sub>8</sub>	92	5	126	1 <sup>1</sup> / <sub>2</sub>	12	—
3871	Intermediate car	3 <sup>3</sup> / <sub>4</sub>	95	2	51	—	—	1	26	3 <sup>7</sup> / <sub>8</sub>	10	—
3868	Battcar/12 mm stud	5 <sup>5</sup> / <sub>8</sub>	136	2	51	3 <sup>3</sup> / <sub>8</sub>	92	5 <sup>1</sup> / <sub>16</sub>	128	1 <sup>1</sup> / <sub>2</sub>	12	12
3869	Battcar/14 mm stud	5 <sup>5</sup> / <sub>8</sub>	136	2	51	3 <sup>3</sup> / <sub>8</sub>	92	5 <sup>1</sup> / <sub>16</sub>	128	1 <sup>1</sup> / <sub>2</sub>	12	14
3870	Battcar/16 mm stud	5 <sup>5</sup> / <sub>8</sub>	136	2	51	3 <sup>5</sup> / <sub>8</sub>	92	5 <sup>1</sup> / <sub>16</sub>	128	1 <sup>1</sup> / <sub>2</sub>	12	16
3872	Universal Battcar	5 <sup>5</sup> / <sub>8</sub>	136	2	51	—	—	1 <sup>1</sup> / <sub>16</sub>	33	1 <sup>1</sup> / <sub>2</sub>	12	—
3873	Reef car	9 <sup>1</sup> / <sub>8</sub>	231	2	51	—	—	1 <sup>5</sup> / <sub>16</sub>	33	1 <sup>1</sup> / <sub>2</sub>	12	—

\*Batten car 3829/Batten car 3830