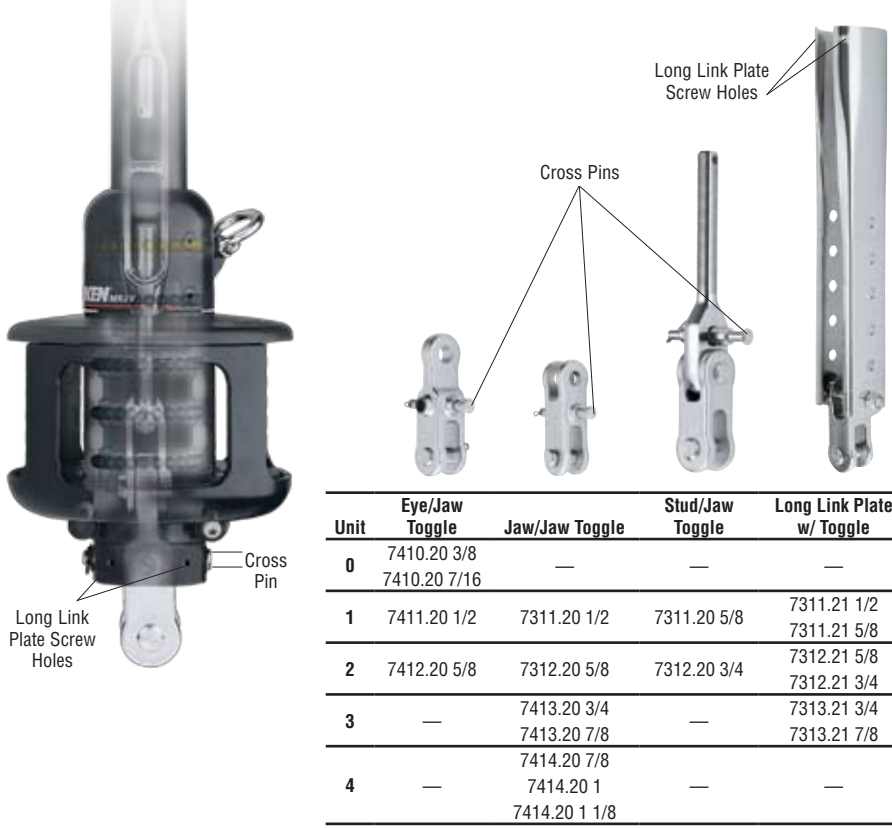
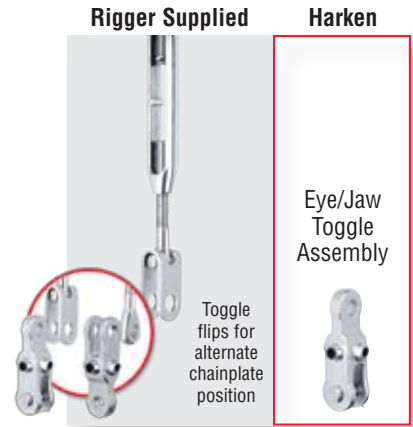


MKIV & Cruising Toggle Options

Use these rigger-supplied options to fit Harken toggles shown below.
Harken Toggle assemblies sold separately.



Unit	Eye/Jaw Toggle	Jaw/Jaw Toggle	Stud/Jaw Toggle	Long Link Plate w/ Toggle
0	7410.20 3/8 7410.20 7/16	—	—	—
1	7411.20 1/2	7311.20 1/2	7311.20 5/8	7311.21 1/2 7311.21 5/8
2	7412.20 5/8	7312.20 5/8	7312.20 3/4	7312.21 5/8 7312.21 3/4
3	—	7413.20 3/4 7413.20 7/8 7414.20 7/8	—	7313.21 3/4 7313.21 7/8
4	—	7414.20 1 7414.20 1 1/8	—	—

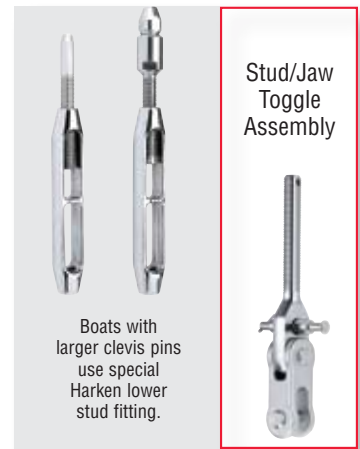


Eye/Jaw Toggle Assembly

Model	Toggle Part No.	Description	Clevis Pin		Fits Unit	Furler Part No.
			Thread Ø	in mm		
MKIV	7410.20 3/8	Eye/Jaw (reversible)	—	3/8 9.5	0	7410.10
	7410.20 7/16	Eye/Jaw (reversible)	—	7/16 11.1	0	7410.10
	7411.20 1/2	Eye/Jaw (reversible)	—	1/2 12.7	1	7411.10
	7311.20 1/2	Jaw/Jaw	—	1/2 12.7	1	7411.10
	7311.20 5/8	Stud/Jaw	5/8 - 18 LH	5/8 15.9	1	7411.10
	7311.21 1/2	Long link plate w/ toggle	—	1/2 12.7	1	7411.10
	7311.21 5/8	Long link plate w/ toggle	—	5/8 15.9	1	7411.10
	7412.20 5/8	Eye/Jaw (reversible)	—	5/8 15.9	2	7412.10
	7312.20 5/8	Jaw/Jaw	—	5/8 15.9	2	7412.10
	7312.20 3/4	Stud/Jaw	3/4 - 16 LH	3/4 19.1	2	7412.10
	7312.21 5/8	Long link plate w/ toggle	—	5/8 15.9	2	7412.10
	7312.21 3/4	Long link plate w/ toggle	—	3/4 19.1	2	7412.10
	7413.20 3/4	Jaw/Jaw w/ short link plate	—	3/4 19.1	3	7413.10
	7413.20 7/8	Jaw/Jaw w/ short link plate	—	7/8 22.2	3	7413.10
	7313.21 3/4	Long link plate w/ toggle	—	3/4 19.1	3	7413.10
	7313.21 7/8	Long link plate w/ toggle	—	7/8 22.2	3	7413.10
	7414.20 7/8	Jaw/Jaw w/ short link plate	—	7/8 22.2	4	7414.10
	7414.20 1	Jaw/Jaw w/ short link plate	—	1 25.4	4	7414.10
	7414.20 1 1/8	Jaw/Jaw w/ short link plate	—	1 1/8 28.57	4	7414.10
	CRUISING	7411.20 1/2	Eye/Jaw (reversible)	—	1/2 12.7	1
7311.20 1/2		Jaw/Jaw	—	1/2 12.7	1	7311.10
7311.20 5/8		Stud/Jaw	5/8 - 18 LH	5/8 15.9	1	7311.10
7311.21 1/2		Long link plate w/ toggle	—	1/2 12.7	1	7311.10
7311.21 5/8		Long link plate w/ toggle	—	5/8 15.9	1	7311.10
7412.20 5/8		Eye/Jaw (reversible)	—	5/8 15.9	2	7312.10
7312.20 5/8		Jaw/Jaw	—	5/8 15.9	2	7312.10
7312.20 3/4		Stud/Jaw	3/4 - 16 LH	3/4 19.1	2	7312.10
7312.21 5/8		Long link plate w/ toggle	—	5/8 15.9	2	7312.10
7312.21 3/4		Long link plate w/ toggle	—	3/4 19.1	2	7312.10



Jaw/Jaw Toggle Assembly



Stud/Jaw Toggle Assembly



Long Link Plate w/ Toggle