

Ordering Information

Unit	Wire Ø*	Rod Ø**	Headstay Length		Clevis pin Ø	Luff tape		
			Standard	Max		#	in	mm
3	7/16", 1/2"	-22, 9.53 mm	75'6"	82'6"	3/4" (19.10 mm)	6	5/32	5
	11, 12 mm	-30, 11.10 mm	23.01 m	25.15 m	7/8" (22.20 mm)			
3.25	9/16"	-40, 12.70 mm	75'6"	89'6"	7/8" (22.20 mm)	6	5/32	5
	14 mm		23.01 m	27.28 m	1" (25.40 mm)			
3.5	5/8", 3/4"	-48, 14.30 mm	77'4"	95'4"	7/8" (22.20 mm)	6	5/32	5
	16, 19 mm		23.57 m	29.06 m	1" (25.40 mm), 1 1/8" (28.60 mm)			
4	7/8"	-60, 16.80 mm	87'11"	114'11"	1 1/4" (31.80 mm)	6	5/32	5
	22 mm	-76‡, 17.90 mm	26.80 m	35.03 m				
4.5	1"	-76, 17.90 mm	102'7"	126'7"	1 1/4" (31.80 mm)	6	5/32	5
	25 mm	-91, 19.50 mm, -115, 22.20 mm	31.27 m	38.58 m	1 3/8" (34.90 mm), 1 9/16" (39.70 mm)			

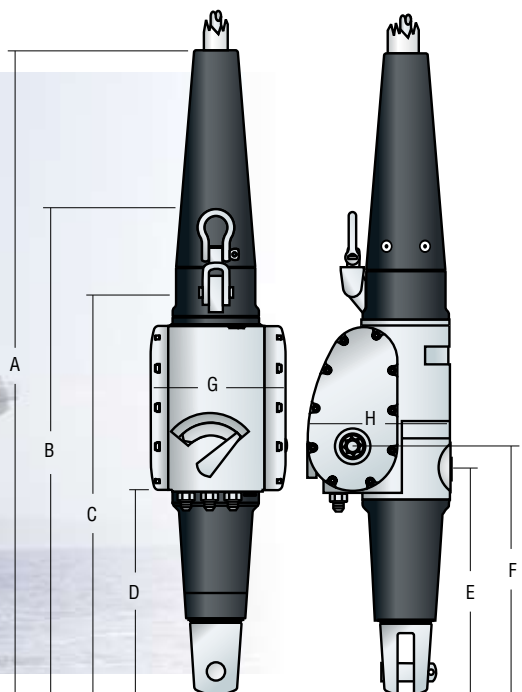
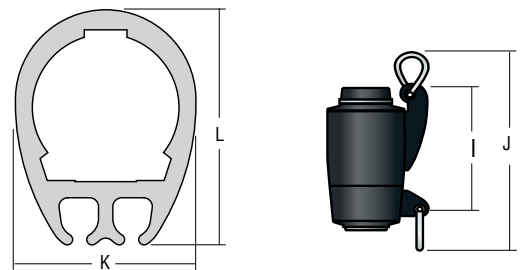
* Sizes do not apply to Dyform® wire **Contact Harken® if other than Nitronic® 50 rod. Carbon units use rod only ‡Continuous rod only. If sectional order 4.5

Furling Dimensions

Unit	A	B	C	D	E	F	G	H	I	J
3	34 1/2"	24 1/8"	20 5/8"	9 1/2"	10 3/4"	12"	7 1/4"	7 3/8"	7 3/4"	12"
	876 mm	613 mm	524 mm	241 mm	273 mm	305 mm	184 mm	200 mm	197 mm	305 mm
3.25	35"	24 3/8"	21 1/8"	10"	11 1/4"	12 1/2"	7 3/4"	7 5/8"	7 3/4"	12"
	889 mm	625 mm	537 mm	254 mm	286 mm	318 mm	197 mm	200 mm	197 mm	305 mm
3.5	37 3/4"	25"	21 1/2"	10 5/8"	11 5/8"	12 7/8"	7 7/8"	7 11/16"	9 1/16"	13 3/16"
	959 mm	635 mm	546 mm	264 mm	295 mm	327 mm	194 mm	195 mm	233 mm	335 mm
4	47 1/4"	31 3/8"	27 1/4"	14"	15"	17"	8 1/2"	9 3/8"	10 5/8"	15 1/4"
	1200 mm	797 mm	692 mm	357 mm	381 mm	432 mm	216 mm	244 mm	270 mm	387 mm
4.5	48 5/8"	32 1/2"	28 3/4"	14 7/8"	15 7/8"	17 7/8"	8 1/2"	9 3/8"	14"	18 1/8"
	1235 mm	826 mm	718 mm	378 mm	403 mm	454 mm	216 mm	244 mm	356 mm	460 mm

Foil Dimensions

Unit	K	L	Foil length	Luff tape
3	1 1/4"	1 11/16"	7'	#6
	33 mm	43 mm	2.13 m	5/32" (5 mm)
3.25	1 1/4"	1 11/16"	7'	#6
	33 mm	43 mm	2.13 m	5/32" (5 mm)
3.5	1 9/16"	1 5/16"	9'	#6
	40 mm	49 mm	2.74 m	5/32" (5 mm)
4	2"	2 7/16"	9'	#6
	50 mm	61 mm	2.74 m	5/32" (5 mm)
4.5	2 1/16"	3 3/16"	12'	#6
	68 mm	81 mm	3.66 m	5/32" (5 mm)



Dragon Fly, 35m Ketch, Karatas Yacht Design