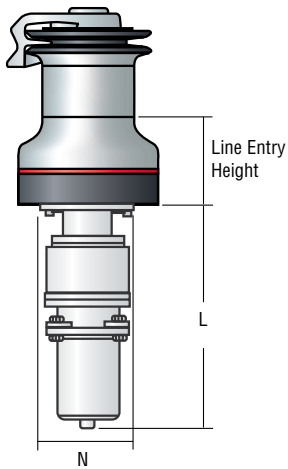
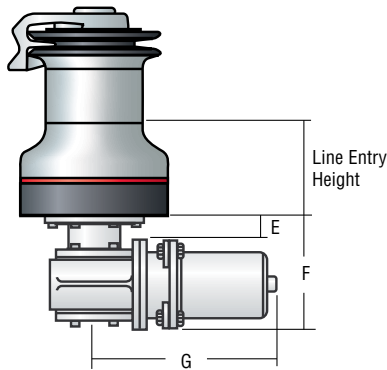


# Electric Motors



**Note:** Unlike competitors' winches, all Harken® electric winches have two speeds and drive through the transmission to increase power or speed without additional battery drain.



## Disconnect Rods

When racing, we advise using a disconnect rod to keep the winch in manual mode.

Part No.	Description	Winch size
B4644	Racing disconnect rod	44
B4646	Racing disconnect rod	46
B4648	Racing disconnect rod	48
B4653	Racing disconnect rod	53
B4656	Racing disconnect rod	60
B4664	Racing disconnect rod	70
B4665	Racing disconnect rod	65
B4666	Racing disconnect rod	74/980

Part No.	E		F		G		L		N	
	in	mm	in	mm	in	mm	in	mm	in	mm
B40STE	1 <sup>9</sup> / <sub>16</sub>	40	5 <sup>25</sup> / <sub>32</sub>	147	9 <sup>27</sup> / <sub>32</sub>	250	—	—	—	—
B44STE	2 <sup>11</sup> / <sub>16</sub>	68	7 <sup>3</sup> / <sub>32</sub>	180	9 <sup>5</sup> / <sub>8</sub>	244	14 <sup>13</sup> / <sub>32</sub>	366	6 <sup>3</sup> / <sub>32</sub>	160
B46STE	2 <sup>11</sup> / <sub>16</sub>	68	7 <sup>3</sup> / <sub>32</sub>	180	9 <sup>5</sup> / <sub>8</sub>	244	14 <sup>13</sup> / <sub>32</sub>	366	6 <sup>3</sup> / <sub>32</sub>	160
B48STE	2 <sup>7</sup> / <sub>16</sub>	62	6 <sup>1</sup> / <sub>8</sub>	174	9 <sup>5</sup> / <sub>8</sub>	244	14 <sup>13</sup> / <sub>32</sub>	366	6 <sup>3</sup> / <sub>32</sub>	160
B53STE	2 <sup>7</sup> / <sub>16</sub>	62	6 <sup>1</sup> / <sub>8</sub>	174	9 <sup>5</sup> / <sub>8</sub>	244	14 <sup>13</sup> / <sub>32</sub>	366	6 <sup>3</sup> / <sub>32</sub>	160
B60STE	2 <sup>1</sup> / <sub>4</sub>	57	6 <sup>2</sup> / <sub>32</sub>	169	9 <sup>5</sup> / <sub>8</sub>	244	14 <sup>13</sup> / <sub>32</sub>	366	6 <sup>3</sup> / <sub>32</sub>	160
B70STE	2 <sup>3</sup> / <sub>32</sub>	58	7 <sup>13</sup> / <sub>16</sub>	198	10 <sup>23</sup> / <sub>32</sub>	272	15 <sup>13</sup> / <sub>16</sub>	402	6 <sup>3</sup> / <sub>32</sub>	160
B74STE	2 <sup>3</sup> / <sub>32</sub>	58	7 <sup>13</sup> / <sub>16</sub>	198	10 <sup>23</sup> / <sub>32</sub>	272	15 <sup>13</sup> / <sub>16</sub>	402	6 <sup>3</sup> / <sub>32</sub>	160
B980STE	2 <sup>3</sup> / <sub>32</sub>	58	7 <sup>13</sup> / <sub>16</sub>	198	10 <sup>23</sup> / <sub>32</sub>	272	15 <sup>13</sup> / <sub>16</sub>	402	6 <sup>3</sup> / <sub>32</sub>	160
B990STE	3 <sup>9</sup> / <sub>16</sub>	90	9 <sup>1</sup> / <sub>16</sub>	230	10 <sup>23</sup> / <sub>32</sub>	272	15 <sup>13</sup> / <sub>16</sub>	402	6 <sup>3</sup> / <sub>32</sub>	160
B1110STE	2 <sup>3</sup> / <sub>4</sub>	70	10 <sup>1</sup> / <sub>32</sub>	255	17 <sup>1</sup> / <sub>8</sub>	435	—	—	—	—
B1111STE	2 <sup>3</sup> / <sub>4</sub>	70	10 <sup>1</sup> / <sub>32</sub>	255	17 <sup>1</sup> / <sub>8</sub>	435	—	—	—	—
B1120STE	4 <sup>13</sup> / <sub>16</sub>	122	10 <sup>7</sup> / <sub>8</sub>	276	17 <sup>23</sup> / <sub>32</sub>	450	—	—	—	—
B1130STE	2 <sup>3</sup> / <sub>4</sub>	70	8 <sup>7</sup> / <sub>8</sub>	225	16 <sup>9</sup> / <sub>16</sub>	411	—	—	—	—
B1135STE	2 <sup>3</sup> / <sub>4</sub>	70	8 <sup>7</sup> / <sub>8</sub>	225	16 <sup>9</sup> / <sub>16</sub>	411	—	—	—	—
B1140STE	1 <sup>3</sup> / <sub>16</sub>	30	14 <sup>5</sup> / <sub>8</sub>	372	20 <sup>15</sup> / <sub>32</sub>	520	—	—	—	—

Winch size	Motor configuration		Power in Watts	Current voltage		RPM (no load)		Peak current amps	
	Horizontal (STEH)	Vertical (STEV)		12V	24V	12V	24V	12V	24V
B40.2	✓	—	500	✓	—	2800	—	240	—
B44.2 - B46.2	✓	✓	1500	✓	✓	2400	2700	240	130
B48.2 - B53.2	✓	✓	1500	✓	✓	2400	2700	240	130
B60.2 - B70.2 - B74.2 - B980.2 - B990.2	✓	✓	1500	✓	✓	2400	2700	240	130
B1110 - B1111 - B1130	✓	—	2000	—	✓	—	2700	—	120
B1120	✓	—	2600	—	✓	—	2300	—	140

## Wire section

Winch size	Current voltage	0 - 16.4 ft*		0 - 5 m*		16.4 - 32.8 ft*		5 - 10 m*		32.8 - 49.2 ft*		10 - 15 m*		49.2 - 65.6 ft*		15 - 20 m*	
		AWG	mm <sup>2</sup>	AWG	mm <sup>2</sup>	AWG	mm <sup>2</sup>	AWG	mm <sup>2</sup>	AWG	mm <sup>2</sup>	AWG	mm <sup>2</sup>	AWG	mm <sup>2</sup>		
B40.2	12 V	2	32	0	50	00	70	000	90								
B44.2 - B46.2	12 V	2	32	0	50	00	70	000	90								
B44.2 - B46.2	24 V	6	16	4	25	2	35	1	45								
B48.2 - B53.2	12 V	2	32	0	50	00	70	000	90								
B48.2 - B53.2	24 V	6	16	4	25	2	35	1	45								
B60.2 - B70.2 - B74.2 - B980.2 - B990.2	12 V	2	32	00	60	0000	100	00000	140								
B60.2 - B70.2 - B74.2 - B980.2 - B990.2	24 V	6	16	2	30	0	50	00	70								
B1110 - B1111 - B1130	24 V	6	16	2	30	0	50	00	70								
B1120	24 V	2	32	2	30	0	50	00	70								
B1140	24 V	2	32	2	30	0	50	00	70								

\*Entire distance