

# Hydraulic Power Units

Harken® hydraulic power units can act as stand-alone, central power, or supplemental units. These efficient units are designed for Harken winches and furlers, but will also power other systems, such as windlasses, sail trim cylinders, keel cylinders, and hydraulic davits.

## Control Box

The units come with a control box that interfaces with the switches to activate the motor and valves. Also included are switches to power down each motor.

## Custom Options

Need remote manifolds? Want to integrate an engine-driven pump or use generator power? We will customize a unit to your specifications.

Call for availability.

*Elevated reservoir fill cap keeps oil from spilling, filters air exchange, and removes moisture from the tank for a healthy hydraulic power unit*

*No exposed plumbing provides a clean look*



Hydro 1

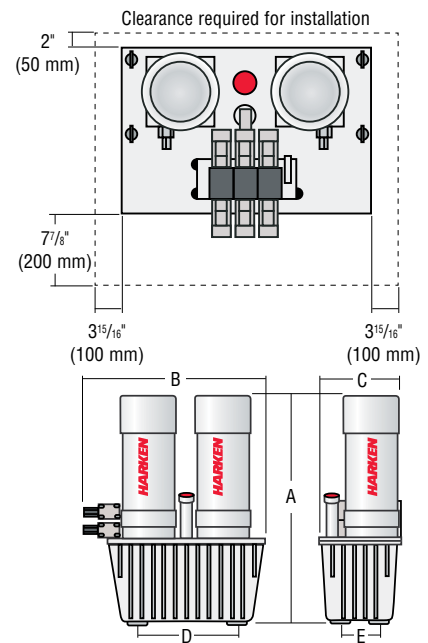
*Integrated return line filtration with easy-to-change filter and filter status gauge*

*Each pump and motor serves a 4-function manifold. Vertical ports for each function simplify hose routing*



Hydro 2

*The Hydro 2 & 3 combine the flow of two pumps for a high power function*



## Control Box

Power unit	Height		Width		Depth	
	in	mm	in	mm	in	mm
Hydro 1	12	304.8	12	304.8	6.875	174.625
Hydro 2 / Hydro 3	16	406.4	12	304.8	8.875	225.425

## Power Unit Dimensions

Power unit	A		B		C		D		E	
	in	mm	in	mm	in	mm	in	mm	in	mm
Hydro 1	24	609.6	13.5	342.9	21	533.4	6.93	176.022	12.83	325.882
Hydro 2 / Hydro 3	27.25	692.15	24	609.6	20	508	11.12	282.5	16.63	422.5

Dimensions subject to change

Distance battery to power unit	Minimum wire size				
	Hydro 1		Hydro 2, 3		
ft	m	gauge	mm <sup>2</sup>	gauge	mm <sup>2</sup>
0 - 15	0 - 5	3	25	00	70
15 - 33	5 - 10	1	35	000	90
33 - 50	10 - 15	0	50	0000	120

## Hydraulic Power Units

Power unit	Number of Functions	Motor	Maximum current drain		Tank capacity		Maximum operating pressure		Max flow rate		Weight		Fasteners
			(amps)		gal	l	psi	bar	gpm	l/min	lb	kg	
Hydro 1	4	1 x 3000 Watt	175		7.9	30	2000	140	4	15	126.5	56.2	M10
Hydro 2	9*	2 x 3000 Watt	2 x 175		18.4	70	2000	140	8	30	180	80	M10
Hydro 3	13*	3 x 3000 Watt	3 x 175		18.4	70	2000	140	12	45	220	97.8	M10

Hydro units have 24-volt, 3000-watt motors. Available with 12-volt by special order. \*One function delivers double output